

浮油撈除機

SKIMMER FOR FLOATING-OIL

浮油乾淨吸除

CNC 工具機專用 SPECIAL FOR CNC MACHINE

特點：

- 不銹鋼皮帶，優異的撥水性和滑溜性，油水分離效果最佳。
- 2 μ m 厚之油膜皆可吸除，即肉眼望去五彩狀之油膜。
- 磁鐵吸附，隨處可裝，正裝斜裝皆可。
- 24 小時，時間比例控制。
- 鋼帶長度配合用戶水池深度製作。
- 水中無吊輪故障少。

MODEL NC-40

FEATURE:

- Stainless steel belt, having excellent water wiping, slipping and water-oil separating.
- Available for sucking oil of 2 μ m thick. (The visible colorful skimming oil)
- Magnet attached, can be assembled everywhere, either vertical or incline.
- Time control device for 24 hours.
- The length of steel belt is designed according to the depth of customer's pool.
- No wheel in the water, trouble-less.



型錄備索

另有廢水池使用大型油水分離機，餐飲廢水套裝設備

ALSO PROVIDING SKIMMER FOR FLOATING-OIL VEGETABLE RESIDUE SEPARATOR.

SKIMMER FOR FLOATING-OIL



▲易掀式外蓋設計，維修容易。

規範：

鋼帶：寬 50mm X 厚 0.08mm
吸油量：1 公升 / 小時
總消耗電力：5 瓦特
重量：2 公斤

SPECIFICATION:

Steel belt: width 50mm X thick 0.08mm.
Suction capacity: 1 l / hr
Power consumption: 5W
Weight: 2kg

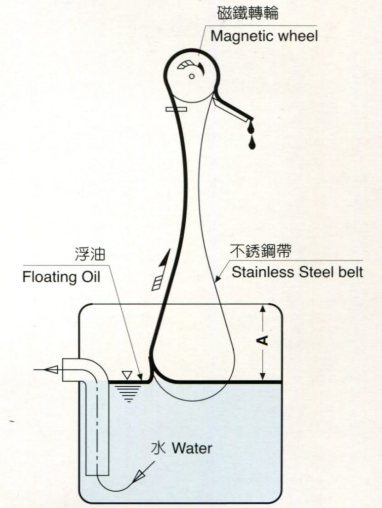
※如蒙惠顧，請提供 "A" 尺寸。
以決定鋼帶長度，便於製作。
Customers provide the dimension "A"
in order to decide to steel belt length
for manufacture.

選購配件：

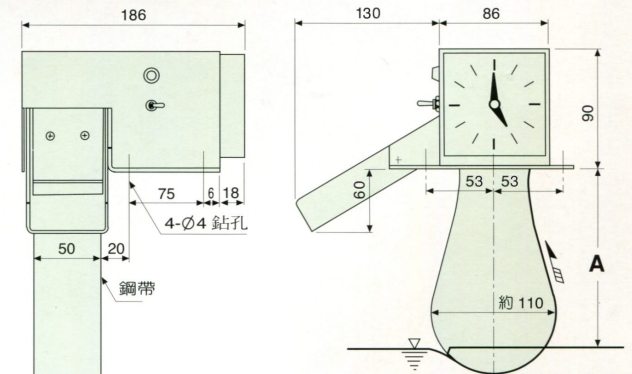
簡易油水分離桶。

Optional Accessories:

Simple Separating tank of oil & water.



基本原理
Basic Principle



鈺富機械有限公司

JENFU MACHINERY CO., LTD.

彰化縣員林鎮溝里里溝里巷 16 之 7 號

No. 16-7, Kou-Tsao Lane, Kou-Tsao Li,
Yuan Lin Chen, Chang Hwa, Taiwan, R.O.C.

TEL: 04-8349555 FAX: 04-8341504

經銷 AGENT